

Specification

CCD Body Camera

CCD BODY CAMERA		
Item NO.	MS-C424	
Video system.	NTSC/PAL (Color)	
Number of Effective Pixels	PAL	500x528
	NTSC	510x492
CCD Image Sensor	1/4" Interline CCD	
Scanning System	2:1 INTERLACE	
Synchronization	INTERNAL	
Resolution (TV Lines)	350	
S/N Ratio	more than 48dB	
Minimum Illumination	0.2Lux / F 1.2 (color)	
Electronic Shutter	1/50 - 1/120000.	
Horizontal Sync Frequency	NTSC(EIA)-15.734kHz / PAL(CCIR)-15.625kHz	
Vertical Sync Frequency	NTSC(EIA)-60Hz / PAL(CCIR)-50Hz	
Gamma Consumption	0.45	
Video Output	1Vp-p , 75ohms Composite	
Audio Output	Frequency 20-16000Hz,S/N ratio more than 58dB (Optional)	
Storage Temperature	-30 to 60 Degree C	
Working Temperature	-10 to 45 Degree C	
Power Source	DC 12V(standard)	
Power Current	150mA(max)	
Dimensions (mm)	24 x 22 x 13.3 (mm)	

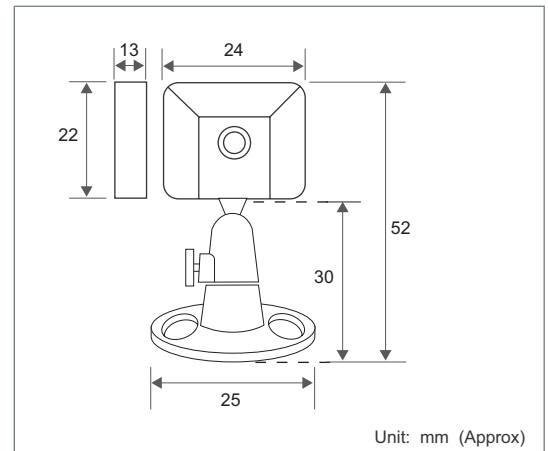


MS-C424

Feature

Dimensions

- Magnetic mount bracket
- High Quality picture.
- Compact size.
- ES up to 1/120,000 second
- Microphone Built-in Optional.
- Backlight compensation.
- Auto white balance.
- High speed white balance mode(1Fild).
- High performance.
- Competitive price.
- Outstanding quality!
- Mirror function : ordering in advance.



Other types

