

Specification

Model	MO-D1540	MO-D2640
Video system	NTSC / PAL	
Number of effective pixels	NTSC	656 x 492
	PAL	/
Image sensor	1/4" Color	1/3" Color
Resolution(TV Lines)	380	
S/N Ratio	more than 48dB	
Minimum illumination	1 LUX	0.2Lux/F1.2
Electronic shutter	1/50 - 1/200,000	1/50 - 1/125,000
Horizontal sync frequency	NTSC-15.734kHz / PAL-15.625kHz	
Vertical sync frequency	NTCS-60Hz / PAL-50Hz	
Camera consumption	0.45	
Video output	1Vp-p , 75ohm composite	
Audio output	Frequency 20-16,000Hz , S/N ratio more than 58 SPL(at 1000Hz)(Ordering in advance)	
Built-in lens	3.6mm / F2.0 (G-type)	
Lens angle	70 °	90 °
Storage temperature	-30 to 60 Degree C	
Working temperature	-10 to 45 Degree C	
Power source	DC 5-12V(Standard)	
Power current	60 mA	
Dimension (mm)	52 x 45	

CMOS Dome Camera

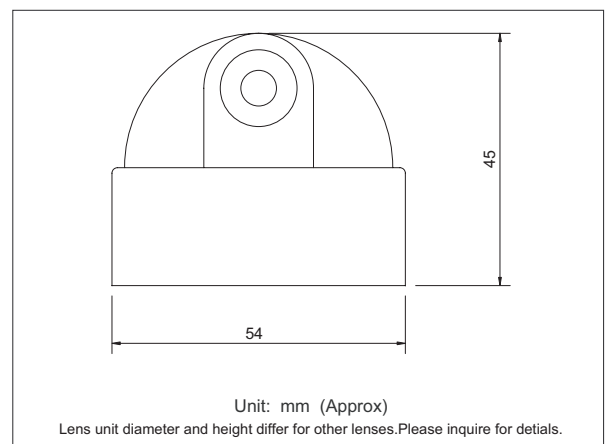


MO-D1x40

Ordering Information


MODEL	MICRO LENS	Shutter speed	MIC
MO-D1540	3.6mm / F2.0	1/60 ~ 1/125,000	
MO-D1540A		1/60 ~ 1/125,000	
MO-D2640		1/50 ~ 1/200,000	
MO-D2640A		1/50 ~ 1/200,000	

Dimensions

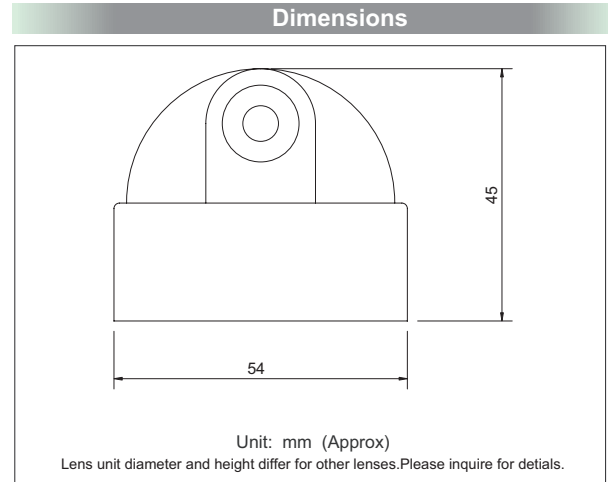


Other type

 MS-C465 1/4" CCD INFRARED CAMERA	 MS-C442 CMOS CAMERA	 MO-N1600
---	--	--

Specification						CMOS Dome Camera	
Model	MO-D340	MO-D440	MO-D540	MO-D2640	MO-D740	 <p style="text-align: center;">MO-Dx40</p>	
Video system	CCIR / EIA		NTSC Only	NTSC / PAL	EIA Only		
Number of effective pixels	NTSC(EIA)	510x492	320x240	510x492	510x492		510x492
	PAL(CCIR)	628x582	352x288		628x586		
Image sensor	1/3"	1/4"	1/4"	1/3"	1/4"		
Resolution(TV Lines)	380	240	380				
S/N Ratio	more than 48dB						
Minimum illumination	0.2 LUX	0.5 LUX	1.5 LUX	0.2 LUX	0.05 LUX		
Electronic shutter	1/50 - 1/15,000	1/50 - 1/6,000	1/50 - 1/63,000	1/50 - 1/125,000	1/50 - 1/63,000		
Horizontal sync frequency	NTSC(EIA)-15.734kHz / PAL(CCIR)-15.625kHz						
Vertical sync frequency	NTCS(EIA)-60Hz / PAL(CCIR)-50Hz						
Camera consumption	0.45						
Video output	1Vp-p , 75ohm composite						
Audio output	Frequency 20-16,000Hz , S/N ratio more than 58 SPL(at 1000Hz)(Ordering in advance)						
Built-in lens	3.6mm / F2.0 (G-type)						
Lens angle	92 °	70 °		92 °	70 °		
Storage temperature	-30 to 60 Degree C						
Working temperature	-10 to 45 Degree C						
Power source	DC 7-12V(Standard)						
Power current	50mA	20mA	35mA	50mA	35mA		
Dimension (mm)	54 x 45						

Ordering Information		
MODEL	MICRO LENS	MIC
MO-Dx40	3.6mm / F2.0	
MO-Dx40A	3.6mm / F2.0	
NOTE:		
MO-D340A : W/Microphone		
MO-Dx40: 4: 1/3" 0.2 Lux	4: 1/4" 0.5 Lux	5: 1/4" 0.2 Lux
26: 1/3" 3 Lux	7: 1/4" 0.05 Lux	



Other type

 <p>MS-C465 1/4" CCD INFRARED CAMERA</p>	 <p>MS-C442 CMOS CAMERA</p>	 <p>MO-N1600</p>
--	---	--