

Specification

CCD Body Camera

BODY CCD CAMERA					
Item NO.	MS- <u>C</u> <sub>B</sub> 350	MS- <u>C</u> <sub>B</sub> 650	MS- <u>C</u> <sub>B</sub> 450	MS- <u>C</u> <sub>B</sub> 850	
Video system.	NTSC/PAL(Color) & EIA/CCIR(B/W)				
Number of Effective Pixels	PAL(CCIR)	500x528	752x582	500x528	752x582
	NTSC(EIA)	510x492	768x494	510x492	768x494
CCD Image Sensor	1/3" Interline CCD		1/4" Interline CCD		
Scanning System	2:1 INTERLACE				
Synchronization	INTERNAL				
Resolution (TV Lines)	COLOR	380	470	350	470
	B/W	420	570	420	570
S/N Ratio	more than 48dB				
Minimum Illumination	0.2 Lux / F 1.4 (Color) & 0.02Lux / F1.2				
Electronic Shutter	1/50 - 1/120000				
Horizontal Sync Frequency	NTSC(EIA)-15.734kHz / PAL(CCIR)-15.625kHz				
Vertical Sync Frequency	NTSC(EIA)-60Hz / PAL(CCIR)-50Hz				
Gamma Consumption	0.45				
Video Output	1Vp-p , 75ohms Composite				
Audio Output	Frequency 20-16000Hz,S/N ratio more than 63dB SPL(at 1000Hz))(Ordering in advance)				
Audio Standard	Frequency 20-16000Hz,S/N ratio more than 58dB				
Built-In Lens	3.6mm/F2.0(Micro lens) , 3.7mm/F2.0(Pin hole lens)				
Storage Temperature	-30 to 60 Degree C				
Working Temperature	-10 to 45 Degree C				
Power Source	DC 12V(standard)				
Power Current	150mA(max)				
Dimension (mm)	40(W)x45(H)mm				



MS-C<sub>B</sub>x50G

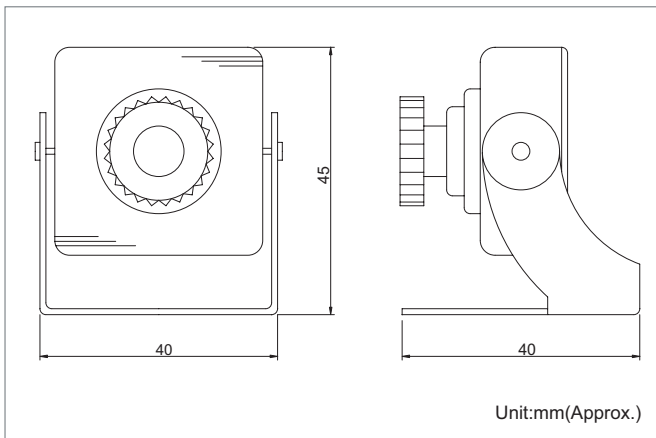
MICRO LENS



MS-C<sub>B</sub>x50P

PIN HOLE LENS

Dimensions



Ordering Information

MODEL	MICRO	PIN HOLE	MIC	NOTE
MS- <u>x</u> 350G	3.6mm / F2.0			1/3" CCD M.RES
MS- <u>x</u> 350P		3.7mm / F2.0		1/3" CCD M.RES
MS- <u>x</u> 650G	3.6mm / F2.0			1/3" CCD H.RES
MS- <u>x</u> 650P		3.7mm / F2.0		1/3" CCD H.RES
MS- <u>x</u> 450G	3.6mm / F2.0			1/4" CCD M.RES
MS- <u>x</u> 450P		3.7mm / F2.0		1/4" CCD M.RES
MS- <u>x</u> 850G	3.6mm / F2.0			1/4" CCD H.RES
MS- <u>x</u> 850P		3.7mm / F2.0		1/4" CCD H.RES
MS- <u>xx</u> 50GA				
MS- <u>xx</u> 50PA				

NOTE:

1/4" CCD **M.RES.** :**M**: Medium resolution ; **H**: High resolution

MS-x350 : **C**: Color ; **B**: B/W

MS-x350**G** : **G**: Micro lens ; **P**: Pin Hole

MS-x350**A** : **A**: W/Microphone

Other Mode



MO-P650P-4F  
FLAT LENS (PIN HOLE LENS)



MO-P650G  
BOARD LENS



MO-P650P-3C  
CONE LENS(PIN HOLE LENS)