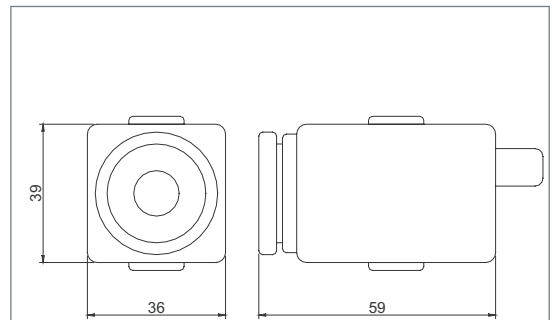


**Specification**
**CCD Body Camera**

CCD BODY CAMERA			
Item NO.	MS-C433	MS-C433M	MS-C833
Video system.	NTSC/PAL (Color)		
Number of Effective Pixels	NTSC	510x492	768x494
	PAL	500x528	752x582
CCD Image Sensor	1/4" Interline CCD		
Scanning System	2:1 INTERLACE		
Synchronization	INTERNAL		
Resolution (TV Lines)	350		470
S/N Ratio	more than 48dB		
Minimum Illumination	0.2Lux / F 1.2		
Electronic Shutter	1/50 - 1/96000	1/50 - 1/120000	1/50 - 1/100000
Horizontal Sync Frequency	NTSC(EIA)-15.734kHz / PAL(CCIR)-15.625kHz		
Vertical Sync Frequency	NTSC(EIA)-60Hz / PAL(CCIR)-50Hz		
Gamma Consumption	0.45		
Video Output	1Vp-p , 75ohms Composite		
Audio Output	Frequency 20-16000Hz,S/N ratio more than 58dB (Optional)		
Lens Mount	C & CS		
Storage Temperature	-30 to 60 Degree C		
Working Temperature	-10 to 45 Degree C		
Power Source	DC 5V	DC 12V(standard)	
Power Current	150mA(max)		
Dimensions (mm)	36(W)x39(H)x59(L)		
Weight (g)	160g		


**MS-Cx33x**
**Dimensions**


Unit: mm (Approx)

**Ordering Information**

MODEL	Electronic Shutter	MIC	NOTE
MS-C433	1/96,000		1/4" CCD M.RES
MS-C833	1/100,000		1/4" CCD H.RES
MS-C433A	1/96,000		1/4" CCD M.RES
MS-B433A	1/100,000		1/4" CCD M.RES
MS-C433M	1/120,000		1/4" CCD M.RES
MS-B433M	1/120,000		1/4" CCD M.RES
MS-C433MA	1/120,000		1/4" CCD M.RES
MS-B433MA	1/120,000		1/4" CCD M.RES

**NOTE:**

MS-C433A: A: W/Microphone

1/4" CCD M.RES. :M: Medium resolution ; H: High resolution

**Feature**

- High Quality picture.
- Compact size.
- ES up to 1/120,000 second
- Microphone Built-in Optional. (ordering in advance.)
- Backlight compensation.
- Equipping Electronics-Auto-Iris.
- High speed white balance mode(1Fild).
- High performance.
- Outstanding quality!
- Mirror function : Switchable (ordering in advance.)

**Other types**

**MS-C420VB**

**MS-C433GW**

**MS-C422**