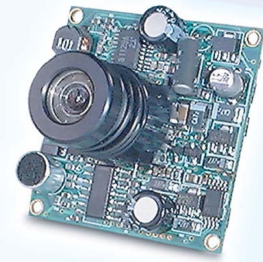


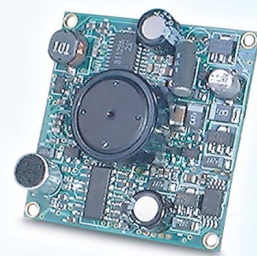
Specification

Board CCD Camera

CCD BOARD CAMERA					
Item NO.		MS-C335	MS-C635	MS-C435	MS-B835
Video system.		NTSC/PAL (Color) & EIA/CCIR (B/W)			
Number of Effective Pixels	PAL (CCIR)	500x528	752x582	500x528	752x582
	NTSC (EIA)	510x492	768x494	510x492	768x494
CCD Image Sensor		1/3" Interline CCD		1/4" Interline CCD	
Scanning System		2:1 INTERLACE			
Synchronization		INTERNAL			
Resolution (TV Lines)	COLOR	380	470	350	470
	B/W	420	570	420	570
S/N Ratio		more than 48dB			
Minimum Illumination	COLOR	0.2Lux / F 1.2			
	B/W	0.02Lux / F 1.2			
Electronic Shutter		1/50 - 1/100,000			
Horizontal Sync Frequency		NTSC(EIA)-15.73kHz / PAL(CCIR)-15.62kHz			
Vertical Sync Frequency		NTSC(EIA)-60Hz / PAL(CCIR)-50Hz			
Gamma Consumption		0.45			
Video Output		1Vp-p , 75ohms Composite			
Audio Output		Frequency 20-16000Hz,S/N ratio more than 58dB (Optional)			
Power Source		DC 12V			
Storage Temperature		-30 to 60 Degree C			
Working Temperature		-10 to 45 Degree C			
Power Current		150mA			
Dimensions (mm)		35 (W) x 35 (L) mm			



MS-C35G



MS-B35P

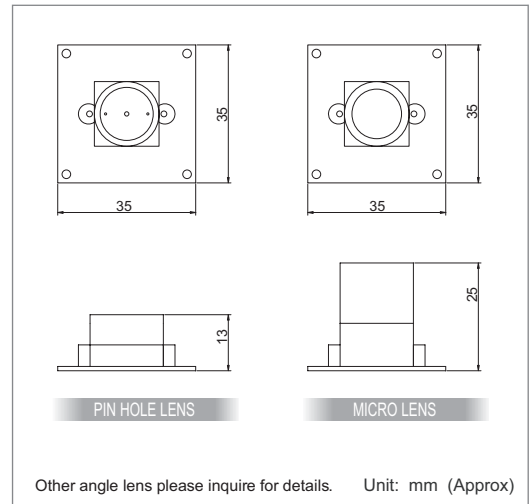
Ordering Information

Dimensions

MODEL	MICRO LENS	PIN HOLE	NOTE
MS-C335G	3.6mm/F2.0		1/3" CCD COLOR M.RES
MS-C335P		3.7mm/F2.0	1/3" CCD COLOR M.RES
MS-C435G	3.6mm/F2.0		1/4" CCD COLOR M.RES
MS-C435P		3.7mm/F2.0	1/4" CCD COLOR M.RES
MS-C635G	3.6mm/F2.0		1/3" CCD COLOR H.RES
MS-C635P		3.7mm/F2.0	1/3" CCD COLOR H.RES
MS-C835G	3.6mm/F2.0		1/4" CCD COLOR H.RES
MS-C835P		3.7mm/F2.0	1/4" CCD B/W H.RES
MS-B335G	3.6mm/F2.0		1/3" CCD B/W M.RES
MS-B335P		3.7mm/F2.0	1/3" CCD B/W M.RES
MS-B435G	3.6mm/F2.0		1/4" CCD B/W M.RES
MS-B435P		3.7mm/F2.0	1/4" CCD B/W M.RES
MS-B635G	3.6mm/F2.0		1/3" CCD B/W H.RES
MS-B635P		3.7mm/F2.0	1/3" CCD B/W H.RES
MS-B835G	3.6mm/F2.0		1/4" CCD B/W H.RES
MS-B835P		3.7mm/F2.0	1/4" CCD B/W H.RES

NOTE:

G : Micro Lens , P : Pin Hold Lens



Feature

- High Quality picture.
- Compact size.
- Mirror function: ordering in advance.
- Backlight compensation.
- Auto white balance.
- Equipping Electronics-Auto-Iris.
- High performance.
- Competitive price.
- Exchange for any kind of lens.
- High speed white balance mode (1Fild)
- Outatanding Quality.