

Specification

Dome CCD Camera

Model	MS-1346	MS-1646	
Video system	NTSC / PAL		
Number of effective pixels	NTSC	512 x 492	768 x 492
	PAL	500 x 582	752 x 582
Image sensor	1/3" Color		
Resolution(TV Lines)	380 TV Lines	520 TV Lines	
S/N Ratio	more than 48dB		
Minimum illumination	0.25 Lux		
Electronic shutter	1/50 - 1/120,000		
Horizontal sync frequency	NTSC-15.734kHz / PAL-15.625kHz		
Vertical sync frequency	NTCS-60Hz / PAL-50Hz		
Camera consumption	0.45		
Video output	1Vp-p , 75ohm composite		
Audio output	Frequency 20-16,000Hz , S/N ratio more than 58 SPL(at 1000Hz)(Ordering in advance)		
Built-in lens	3.6mm / F2.0 (G-type)		
Lens angle	70	90	
Storage temperature	-30 to 60 Degree C		
Working remperature	-10 to 45 Degree C		
Power source	DC 5-12V(Standard)		
Power current	160 mA		
Dimension (mm)	φ 132 x 90		



MS-C_Bx46xx



MS-C_Bx46xxE

FUNCTION SWITCH SET FOR MS-C_Bx46xxE

SWITCH	FUNCTION
JP1	AEC / ALC
JP2	BLC ON/OFF
JP3	ATW / AWB
JP4	MIRROR

Ordering Information

MODEL	Lens	Degree		NOTE
		1/3" Image	1/4" Image	
MO-xx46	3.6 mm	94°	76°	
MO-xx46VJ	2.6 ~ 6.0 mm	112° ~ 65°	95° ~ 50°	
MO-xx46VB	4.0 ~ 9.0 mm	88° ~ 46°	70° ~ 35°	
Mo-xx46VxE	/	/	/	Switch Set
MO-xx46KJ	2.6 ~ 6.0 mm	112° ~ 65°	95° ~ 50°	
MO-xx46KB	4.0 ~ 9.0 mm	88° ~ 46°	70° ~ 35°	
Mo-xx46KxE	/	/	/	Switch Set

NOTE:

MS-xx46: **13:** 1/3" Medium resolution ; **16:**1/3" High resolution

MS-C1346xJ: 2.6 ~ 6.0mm

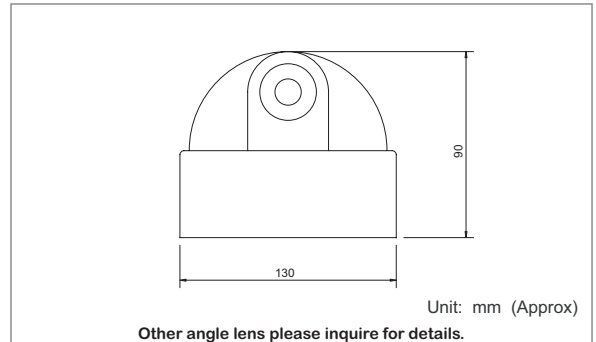
MS-C1346xB: 4.0 ~ 9.0mm

MS-C1346Kx: D.D. IRIS

MS-C1346Vx: Manual IRIS

MS-C1346VJE: Function Switch Set

Dimensions



Feature

- High Quality picture.
- Compact size.
- ES up to 1/120,000 second
- Microphone Built-in Optional.
- Backlight compensation.
- Auto white balance.
- Equipping Electronics-Auto-Iris.
- High speed white balance mode(1Fild).
- High performance.
- Competitive price.

Other types



MS-C342

MO-D440
CMOS MINI CAMERA

MS-C441

MS-B345
Hidden CCD Camera

Specification

Dome CCD Camera

CCD DOME CAMERA					
Item NO.		MS- C _B 346	MS- C _B 646	MS- C _B 446	MS- C _B 846
Video system.		NTSC/PAL (Color) & EIA/CCIR (B/W)			
Number of Effective Pixels	PAL(CCIR)	500x528	752x582	500x528	752x582
	NTSC(EIA)	510x492	768x494	510x492	768x494
CCD Image Sensor		1/3" Interline CCD		1/4" Interline CCD	
Scanning System		2:1 INTERLACE			
Synchronization		INTERNAL			
Resolution (TV Lines)	COLOR	380	470	350	470
	B/W	420	570	420	570
S/N Ratio		more than 48dB			
Minimum Illumination		0.2Lux / F 1.2 (color) & 0.02Lux / F 1.2 (B/W)			
Electronic Shutter		1/50 - 1/120000 (color) & 1/50 - 1/100000 (color)			
Horizontal Sync Frequency		NTSC(EIA)-15.734kHz / PAL(CCIR)-15.625kHz			
Vertical Sync Frequency		NTSC(EIA)-60Hz / PAL(CCIR)-50Hz			
Gamma Consumption		0.45			
Video Output		1Vp-p , 75ohms Composite			
Audio Output		Frequency 20-16000Hz,S/N ratio more than 58dB (Optional)			
Built-In Lens		3.6mm/F2.0			
Lens Angle		3.6mm/92 Degree		3.6mm/70 Degree	
Storage Temperature		-30 to 60 Degree C			
Working Temperature		-10 to 45 Degree C			
Power Source		DC 12V(standard)			
Power Current		150mA(max)			
Dimensions (mm)		130(W)x90(H)mm			



MS-**C**_Bx46xx



MS-**C**_Bx46xxE

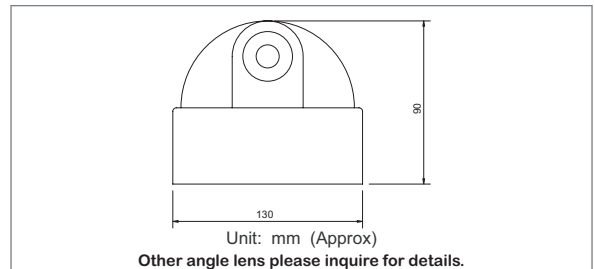
FUNCTION SWITCH SET FOR MS-**C**_Bx46xxE

SWITCH	FUNCTION
JP1	AEC / ALC
JP2	BLC ON/OFF
JP3	ATW / AWB
JP4	MIRROR

Ordering Information

Dimensions

MODEL	Lens	Degree		NOTE
		1/3" Image	1/4" Image	
MO-xx46	3.6 mm	94°	76°	
MO-xx46VJ	2.6 ~ 6.0 mm	112° ~ 65°	95° ~ 50°	
MO-xx46VB	4.0 ~ 9.0 mm	88° ~ 46°	70° ~ 35°	
Mo-xx46VxE	/	/	/	Switch Set
MO-xx46KJ	2.6 ~ 6.0 mm	112° ~ 65°	95° ~ 50°	
MO-xx46KB	4.0 ~ 9.0 mm	88° ~ 46°	70° ~ 35°	
Mo-xx46KxE	/	/	/	Switch Set



NOTE:
 MS-**x**46: **C**: Color image ; **B**: B/W image (ex: MS-**C**446)
 MS-**x**46: **4**: 1/4" Mendium resolution ; **8**: 1/4" High resolution
3: 1/3" Mendium resolution ; **6**: 1/3" High resolution
13: 1/3" Mendium resolution ; **16**: 1/3" High resolution (ex: MS-**C**446)
 MS-C446**x**J: 2.6 ~ 6.0mm
 MS-C446**x**B: 4.0 ~ 9.0mm
 MS-C446**K**x: D.D. IRIS
 MS-C446**K**x: D.D. IRIS
 MS-C446V**E**: Function Switch Set

Feature

- High Quality picture.
- Compact size.
- ES up to 1/120,000 second
- Microphone Built-in Optional.
- Backlight compensation.
- Auto white balance.
- Equipping Electronics-Auto-Iris.
- High speed white balance mode(1Fild).
- High performance.
- Competitive price.

Other types



MS-C342

MO-D440
CMOS MINI CAMERA

MS-C441

MS-B345
Hidden CCD Camera