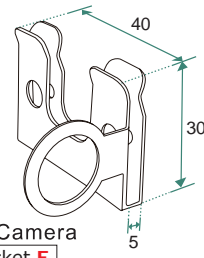
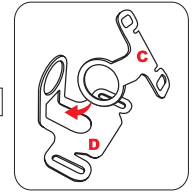


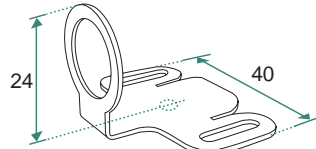
Car Rearview
Bracket **B**



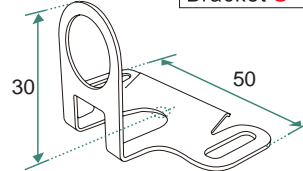
Hat Camera
Bracket **E**



Hat Camera
Bracket **C+D**



Helmet Camera
Bracket **D**



Helmet Camera
Bracket **C**

Unit : mm (± 0.5)

Specification

Model	MF-35R	MF-35B	MF-35FH	MF-35SH
Video system	NTSC / PAL			
Number of effective pixels	648 x 488			
Image sensor	1/4" CCIQ II Color Camera			
Resolution(TV Lines)	400 TV Lines			
S/N Ratio	more than 48dB			
Minimum illumination	0.1 LUX / F1.2			
Electronic shutter	60 field/sec (NTSC)50 field/sec (PAL)			
Horizontal sync frequency	NTSC(EIA) -15.734kHz , PAL(CCIQ) - 15.625kHz			
Vertical sync frequency	NTSC(EIA) - 60Hz , PAL(CCIQ) - 50Hz			
Camera consumption	0.45			
Video output	1Vp-p , 75ohm composite			
Storage temperature	-30 to 60 Degree C			
Working temperature	-10 to 45 Degree C			
Built-in Lens	1.8mm/F2.5			
Power source	DC 5~12 V(Standard)			
Power current	50 mA			



MF-35FH
Hat Camera



MF-35R
Car Rearview camera

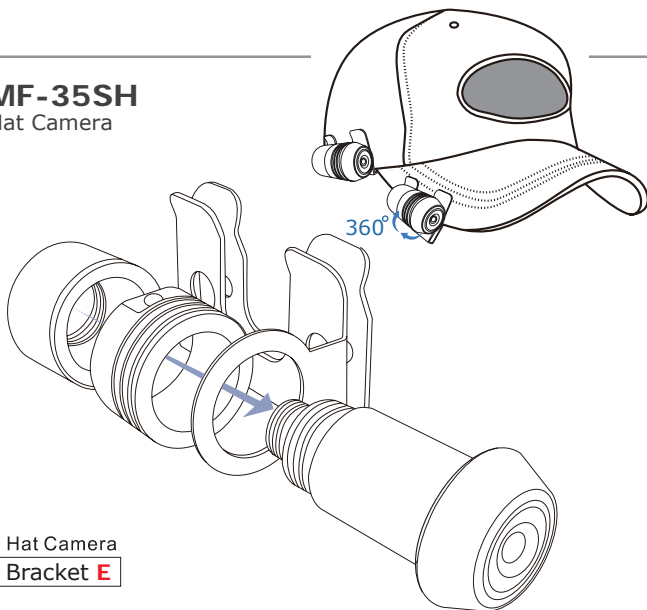


MF-35SH
Hat Camera



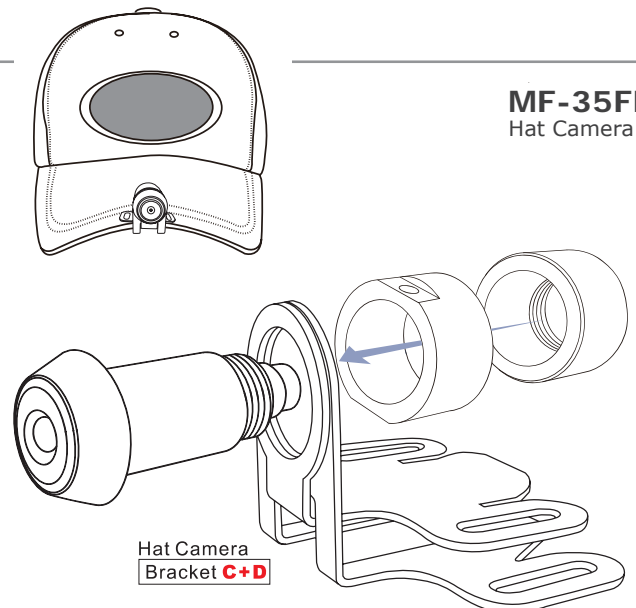
MF-35B
Bullet Camera

MF-35SH
Hat Camera

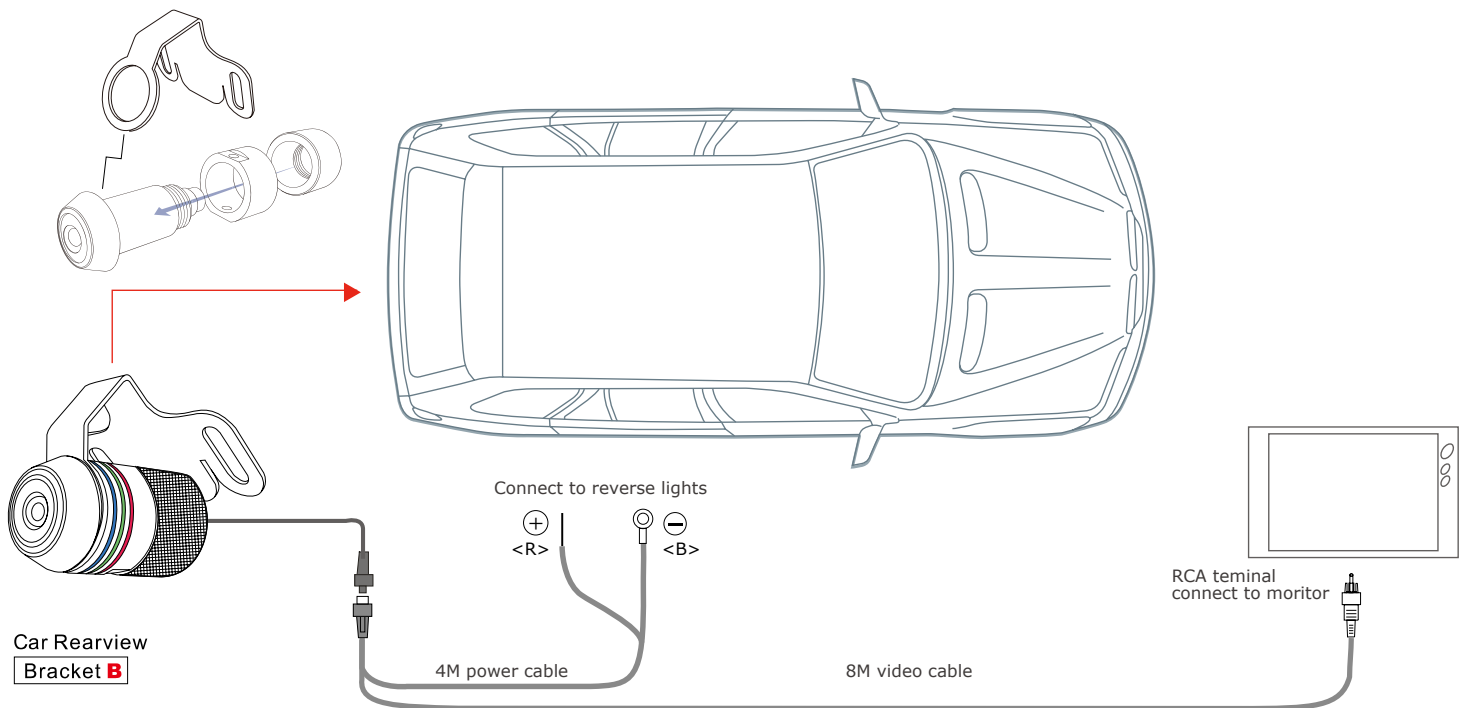


Hat Camera
Bracket **E**

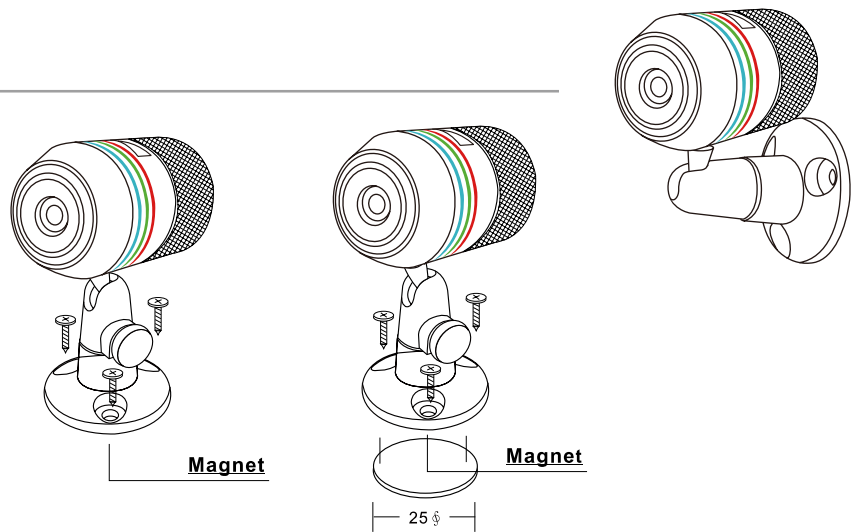
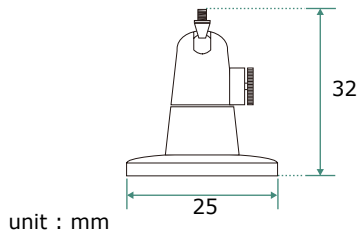
MF-35FH
Hat Camera



Hat Camera
Bracket **C+D**



MF-35B
Bullet Camera

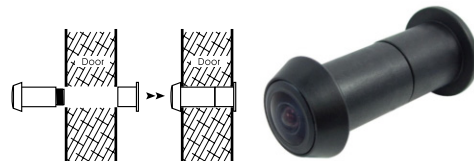


Other Information

NEW CCIQ II
Door Peephole camera

1/4" Color CCIQ II Camera
Pixel : 640x480 (NTSC & PAL)
Image Transfer Rate:
60 field/sec (NTSC) 50 field/sec (PAL)
Lens: 1.8mm / F2.5(MF-35D)
Lens: 3.9mm / F2.8(MF-35D-3D)

MF-35D



MF-35D-3D

