

Specification

Model	MO-M3588
Video system	NTSC / PAL
Number of effective pixels	648 x 488(NTSC/PAL)
Image sensor	1/4" CCIQ II Color Camera
Resolution(TV Lines)	400 TV Lines
S/N Ratio	more than 48dB
Minimum illumination	0.1 LUX / F1.2
Image Transfer Rate	60 field/sec (NTSC)50 field/sec (PAL)
Sensitivity	3.53 [V/Lux.sec]
Horizontal sync frequency	NTSC(EIA) -15.734kHz, PAL(CCIR) - 15.625kHz
Vertical sync frequency	NTSC(EIA) - 60Hz, PAL(CCIR) - 50Hz
Camera consumption	0.45
Video output	1Vp-p, 75ohm composite
Storage temperature	-30 to 60 Degree C
Working temperature	-10 to 45 Degree C
Built-in Lens	4.0 mm/F2.0
Power source	DC 5~12 V(Standard)
Power current	50 mA
Dimension (mm)	camera: 8.6 x 8.6 (mm)



▲ **MO-M3588**

Accessories

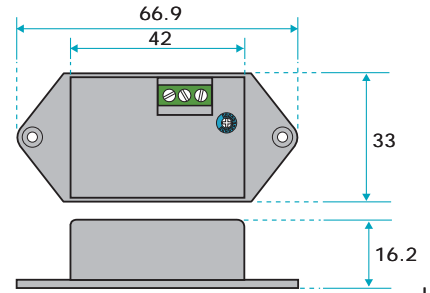


Alarm I/O BOX

Ordering Information

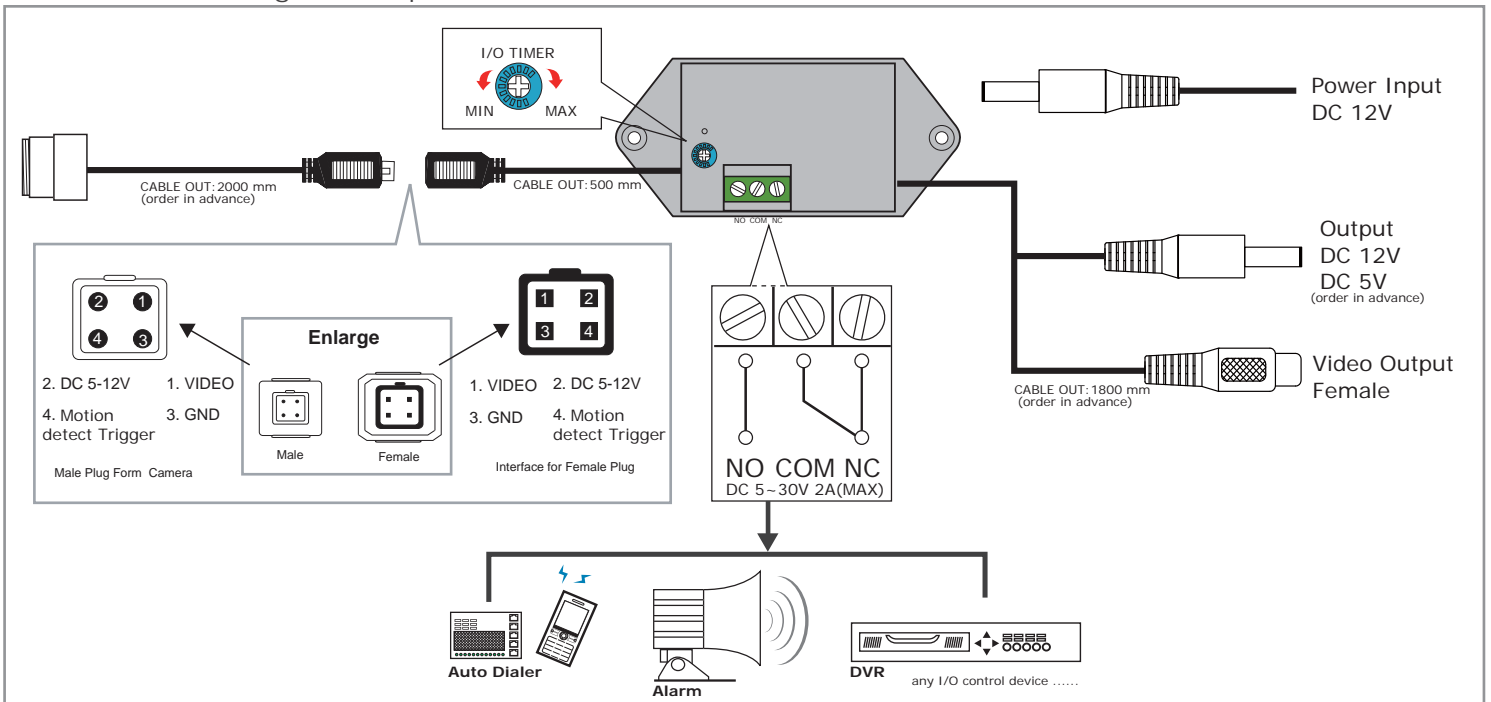
MODEL	LENS	TYPE	Res.
MO-M3588-3C	3.7mm/F2.0	CONE	400 TV Lines
MO-M3588-3F	3.7mm/F2.0	FLAT	400 TV Lines
MO-M3588-3T	3.1mm/F3.4	SLIM	400 TV Lines
MO-M3588-4C	4.3mm/F2.0	CONE	400 TV Lines
MO-M3588-4F	4.3mm/F2.0	FLAT	400 TV Lines
MO-M3588-4T	3.9mm/F3.9	SLIM	400 TV Lines

MODEL	POWER	NOTE (Alarm I/O BOX) :
TG12505	OUTPUT DC 5V	TG12505 (optional accessory) DC 5~30V 2A(MAX)
TG12512	OUTPUT DC 12V	TG12512 (standard accessory)

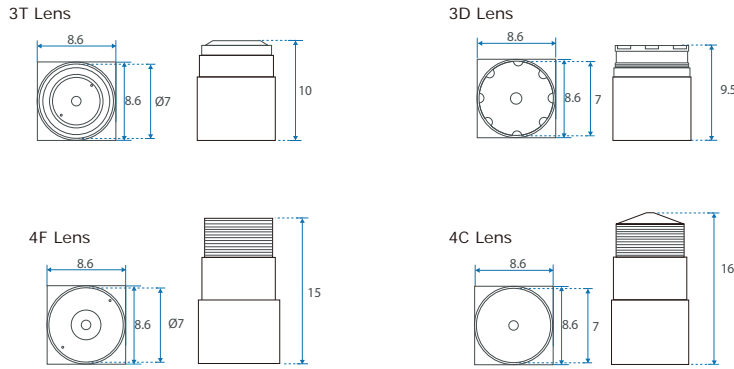


UNIT:mm

Instruction Drawing&Description



Body Type



Unit : mm (± 0.5)

Feature

- Backlight compensation.
- Compact size.
- Hi Resolution up to 400 TV Lines.
- High Performance.
- Outstanding Quality!
- Competitive Price!

Specification

Model	MO-S3588	MO-S3788
Video system	NTSC / PAL	EIA / CCIR
Number of effective pixels	648 x 480	
Image sensor	1/4" CCIQ II Color Camera	1/4" CCIQ II B/W Camera
Resolution(TV Lines)	400 TV Lines	
S/N Ratio	more than 50dB	
Minimum illumination	0.1 LUX / F1.2	0.06 LUX / F1.2
Electronic shutter	60 field/sec (NTSC) , 50 field/sec (PAL)	
Sensitivity	3.53 [V/Lux.sec]	
Horizontal sync frequency	NTSC(EIA) - 15.734kHz , PAL(CCIR) - 15.625kHz	
Vertical sync frequency	NTSC(EIA) - 60Hz , PAL(CCIR) - 50Hz	
Camera consumption	0.45	
Video output	1Vp-p , 75ohm composite	
Audio output	Frequency 20-16000Hz,S/N ratio more than 58dB SPL (Ordering in advance)	
Storage temperature	-30 to 60 Degree C	
Working temperature	-10 to 45 Degree C	
Power source	Camera : DC 5~12V	
Power current	50 mA-max (DC 12V)	
Dimension (mm)	8.6 x 8.6 (mm)	



▲ 3T LENS



▲ 3D LENS



▲ 4F LENS



▲ 4C LENS

Ordering Information

MODEL	FOCUS LENS	MIC.	LENS THREAD
MO-S3588A-3D	3.9mm / F2.8(SLIM type)	External	M 7 mm, P0.5mm
MO-S3588A-3T	3.1mm / F3.4(SLIM type)	External	M 7 mm, P0.5mm
MO-S3588A-3F	3.7mm / F3.5(FLAT type)	External	M 7 mm, P0.5mm
MO-S3588A-4F	4.0mm / F2.0(FLAT type)	External	M 7 mm, P0.5mm
MO-S3588A-4C	4.0mm / F2.0(CONE type)	External	M 7 mm, P0.5mm
MO-S3588-3D	3.9mm / F2.8(SLIM type)	X	M 7 mm, P0.5mm
MO-S3588-3T	3.1mm / F3.4(SLIM type)	X	M 7 mm, P0.5mm
MO-S3588-3F	3.7mm / F3.5(FLAT type)	X	M 7 mm, P0.5mm
MO-S3588-4F	4.0mm / F2.0(FLAT type)	X	M 7 mm, P0.5mm
MO-S3588-4C	4.0mm / F2.0(CONE type)	X	M 7 mm, P0.5mm

NOTE

Cable length : ordering in advance
 MO-T3588: 1/4" Color CCIQ II
 MO-T3788: 1/4" B/W CCIQ II
 MO-T3588A: External Mic.