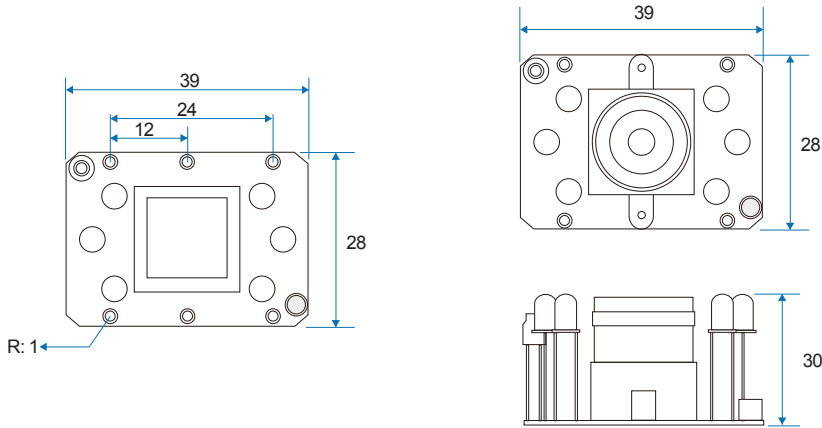


Board Type



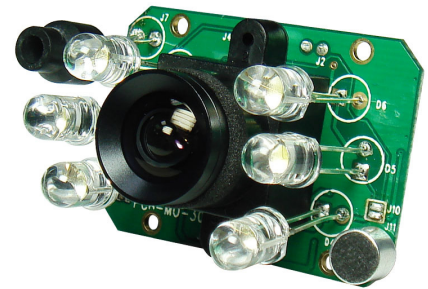
Feature

- white LED x 6 & CDS
- w/ microphone
- High Performance.
- Outstanding Quality!
- Competitive Price!

Unit : mm (± 0.5)

Specification

Model	MO-B1639GDA
Video system	NTSC / PAL
Number of effective pixels	510x 492 (NTSC) / 628x 586(PAL)
Image sensor	1/3" COLOR CMOS
Resolution(TV Lines)	380 TV Lines
S/N Ratio	more than 46dB
scan mode	INTERNAL
Minimum illumination	1Lux/ F1.2
frame rate	1/50-1/125.000 sec.
Horizontal sync frequency	NTSC(EIA) -15.734kHz , PAL(CCIR) - 15.625kHz
Vertical sync frequency	NTSC(EIA) - 60Hz , PAL(CCIR) - 50Hz
Camera consumption	0.45
Built-in Lens	4.3mm/ F2.0 MICRO BOARD LENS
focus distance	60 cm (approximately)
LED	LED X 6
Video output	1Vp-p , 75ohm composite
Audio Output	20-16000Hz,S/N more than 58dB
Storage temperature	-30 to 60 Degree C
Working temperature	-10 to 45 Degree C
Power source	Camera :DC 9 V
Power current	80 mA-max
Dimension (mm)	39 X 28(mm)



▲ MO-B1639GDA

Ordering Information

MODEL	LED Light	built-in microphone
MO-B1639GD	LED X 6	none
MO-B1639GDA		with microphone

NOTE

LED light : white light-standard