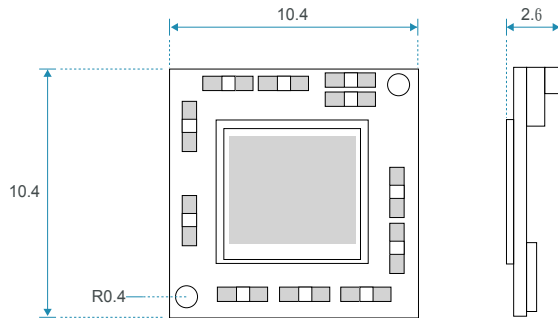


**Board Type**



**Feature**

- High Sensitivity!
- High Performance.
- 1/3" CCIQ III Color
- 728 x 488 Pixel
- Compact size

unit : mm (±0.2)

**Specification**

Model	MO-B5610
Video system	NTSC / PAL
Number of effective pixels	728 x 488 (NTSC & PAL)
Image sensor	1/3" CCIQ III Color Camera
Resolution(TV Lines)	480 TV Lines
S/N Ratio	46.4 dB
Dynamic range	63.7 [dB]
Sensor scan mode	progressive scan
Minimum illumination	0.05Lux /F 1.2 20IRE
Frame Rate	60 Field/sec(NTSC) , 50 Field/sec(PAL)
Sensitivity	13.8 V/Lux.sec
Horizontal sync frequency	NTSC -15.734kHz , PAL - 15.625kHz
Vertical sync frequency	NTSC - 60Hz , PAL - 50Hz
Camera consumption	0.45
Video output	1Vp-p , 75ohm composite
Storage temperature	-30 to 60 Degree C
Working temperature	-10 to 45 Degree C
Power source	Camera input: DC 3.3~5V
Power current	80 mA(max)
Dimension (mm)	10.4 x 10.4 mm ±0.2mm



MO-B5610

**Other information**

MODEL	Built-in Lens	MICROPHONE
MO-B5610-3T	3.1mm/F3.4	W/O MIC.
MO-B5610-4D	4.8mm/F4.5	W/O MIC.
MO-B5610-5F	5.0mm/F3.5	W/O MIC.
MO-B5610A-3T	3.1mm/F3.4	W/ MIC.
MO-B5610A-4D	4.8mm/F4.5	W/ MIC.
MO-B5610A-5F	5.0mm/F3.5	W/ MIC.

**note:**  
MO-B5610A A: W/MIC.

**Other information**

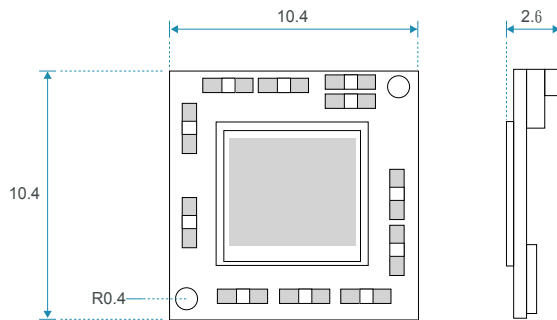
**MO-S5610**

- 1/3" CCIQ III
- Ultra slim :2.3mm ONLY

1/3" Color CCIQ II Camera  
Pixel : 728 x 488 (NTSC / PAL )  
480 TV Lines



**Board Type**



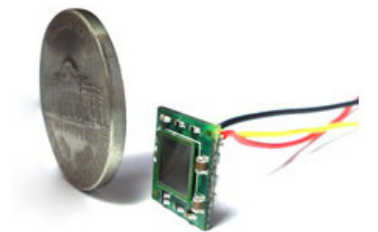
**Feature**

- High Sensitivity!
- High Performance.
- 1/3" CCIQ III Color
- 728 x 488 Pixel
- Compact size

unit : mm (±0.2)

**Specification**

Model	MO-B5910
Video system	NTSC / PAL
Number of effective pixels	728 x 488 (NTSC & PAL)
Image sensor	1/3" CCIQ III B/W Camera
Resolution(TV Lines)	550 TV Lines
S/N Ratio	46.4 dB
Dynamic range	63.7 [dB]
Sensor scan mode	progressive scan
Minimum illumination	0.05Lux /F 1.2 20IRE
Frame Rate	60 Field/sec(NTSC) , 50 Field/sec(PAL)
Sensitivity	13.8 V/Lux.sec
Horizontal sync frequency	NTSC -15.734kHz , PAL - 15.625kHz
Vertical sync frequency	NTSC - 60Hz , PAL - 50Hz
Camera consumption	0.45
Video output	1Vp-p , 75ohm composite
Storage temperature	-30 to 60 Degree C
Working temperature	-10 to 45 Degree C
Power source	Camera input: DC 3.3~5V
Power current	80 mA(max)
Dimension (mm)	10.4 x 10.4 mm ±0.2mm



**Ultra Slim**



MO-B5910

**Other information**

MODEL	Built-in Lens	MICROPHONE
MO-B5910-3T	3.1mm/F3.4	W/O MIC.
MO-B5910-4D	4.8mm/F4.5	W/O MIC.
MO-B5910-5F	5.0mm/F3.5	W/O MIC.
MO-B5910A-3T	3.1mm/F3.4	W/ MIC.
MO-B5910A-4D	4.8mm/F4.5	W/ MIC.
MO-B5910A-5F	5.0mm/F3.5	W/ MIC.

**note:**

MO-B5910A A: W/MIC.

**Other information**

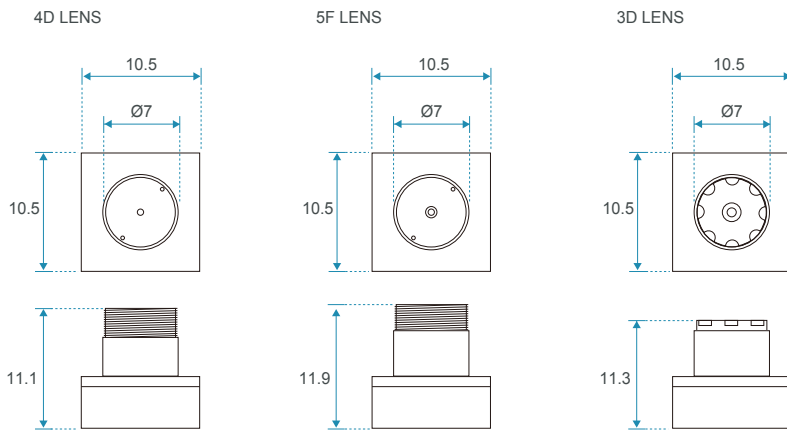
**MO-S5610**

- 1/3" CCIQ III
- Ultra slim :2.3mm ONLY

1/3" Color CCIQ II Camera  
Pixel : 728 x 488 (NTSC / PAL )  
480 TV Lines



**Body Type**



**Feature**

- High Sensitivity!
- High Performance.
- 1/3" CCIQ III Color
- 728 x 488 Pixel
- Compact size

unit : mm (±0.2)

**Specification**

Model	MO-S5610
Video system	NTSC / PAL
Number of effective pixels	728 x 488 (NTSC & PAL)
Image sensor	1/3" CCIQ III Color Camera
Resolution(TV Lines)	480 TV Lines
S/N Ratio	46.4 dB
Dynamic range	63.7 [dB]
Sensor scan mode	progressive scan
Minimum illumination	0.05Lux /F 1.2 20IRE
Frame Rate	60 Field/sec(NTSC) , 50 Field/sec(PAL)
Sensitivity	13.8 V/Lux.sec
Horizontal sync frequency	NTSC -15.734kHz , PAL - 15.625kHz
Vertical sync frequency	NTSC - 60Hz , PAL - 50Hz
Camera consumption	0.45
Video output	1Vp-p , 75ohm composite
Storage temperature	-30 to 60 Degree C
Working temperature	-10 to 45 Degree C
Power source	Camera input: DC 5~12V
Power current	80 mA(max)-DC12V
Dimension (mm)	10.5 x 10.5 mm ±0.2mm



MO-S5610-5F



MO-S5610-4D



MO-S5610-3D

**Other information**

MODEL	Built-in Lens	MICROPHONE
MO-S5610-3T	3.1mm/F3.4	W/O MIC.
MO-S5610-4D	4.8mm/F4.5	W/O MIC.
MO-S5610-5F	5.0mm/F3.5	W/O MIC.
MO-S5610-3G	3.6mm/F2.0	W/O MIC.
MO-S5610A-3T	3.1mm/F3.4	W/ MIC.
MO-S5610A-4D	4.8mm/F4.5	W/ MIC.
MO-S5610A-5F	5.0mm/F3.5	W/ MIC.
MO-S5610A-3G	3.6mm/F2.0	W/ MIC.

**note:**

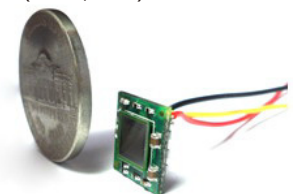
MO-S5610A A: W/MIC.

**Other information**

**MO-B5610**

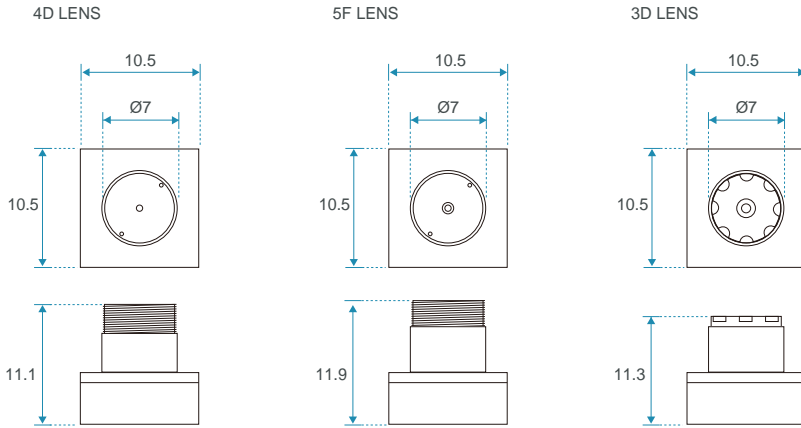
- 1/3" CCIQ III
- Ultra slim :2.3mm ONLY

1/3" Color CCIQ II Camera  
Pixel : 728 x 488 (NTSC / PAL )  
480 TV Lines



**Ultra Slim**

**Body Type**



**Feature**

- High Sensitivity!
- High Performance.
- 1/3" CCIQ III Color
- 728 x 488 Pixel
- Compact size

unit : mm (±0.2)

**Specification**

Model	MO-S5910
Video system	EIA / CCIR
Number of effective pixels	728 x 488 (EIA & CCIR)
Image sensor	1/3" CCIQ III B/W Camera
Resolution(TV Lines)	550 TV Lines
S/N Ratio	46.4 dB
Dynamic range	63.7 [dB]
Sensor scan mode	progressive scan
Minimum illumination	0.05Lux / F 1.2 20IRE
Frame Rate	60 Field/sec(EIA) , 50 Field/sec(CCIR)
Sensitivity	13.8 V/Lux.sec
Horizontal sync frequency	EIA - 15.734kHz , CCIR - 15.625kHz
Vertical sync frequency	EIA - 60Hz , CCIR - 50Hz
Camera consumption	0.45
Video output	1Vp-p , 75ohm composite
Storage temperature	-30 to 60 Degree C
Working temperature	-10 to 45 Degree C
Power source	Camera input: DC 5~12V
Power current	80 mA(max)-DC12V
Dimension (mm)	10.5 x 10.5 mm ±0.2mm



MO-S5910-5F



MO-S5910-4D



MO-S5910-3D

**Other information**

MODEL	Built-in Lens	MICROPHONE
MO-S5910-3T	3.1mm/F3.4	W/O MIC.
MO-S5910-4D	4.8mm/F4.5	W/O MIC.
MO-S5910-5F	5.0mm/F3.5	W/O MIC.
MO-S5910-3G	3.6mm/F2.0	W/O MIC.
MO-S5910A-3T	3.1mm/F3.4	W/ MIC.
MO-S5910A-4D	4.8mm/F4.5	W/ MIC.
MO-S5910A-5F	5.0mm/F3.5	W/ MIC.
MO-S5910A-3G	3.6mm/F2.0	W/ MIC.

**note:**  
MO-S5910A ▲ ▲: W/MIC.

**Other information**

MO-B5610

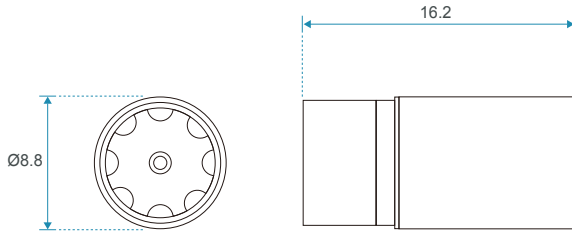
- 1/3" CCIQ III
- Ultra slim : 2.3mm ONLY

1/3" Color CCIQ II Camera  
Pixel : 728 x 488 (NTSC / PAL )  
480 TV Lines



**Ultra Slim**

**Body Type**



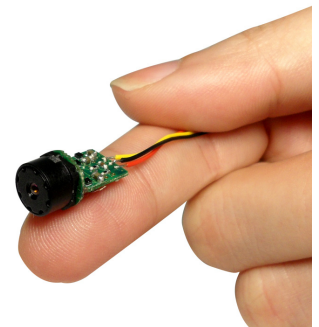
unit : mm (±0.5)

**Feature**

- High Sensitivity!
- High Performance.
- Memory size UP TO 16 K
- 480 TV lines
- Compact size

**Specification**

Model	MO-B5609-3D
Video system	NTSC / PAL
Number of effective pixels	728(H) x 488(V) (NTSC & PAL)
Image sensor	1/3" CCIQ III Color Camera
Resolution(TV Lines)	480 TV Lines
S/N Ratio	46.4 dB
Max Dynamic Range	63.7 [dB]
Sensor scan mode	progressive scan
Minimum illumination	0.05Lux /F 1.2 20IRE
Frame Rate	60 field/sec(NTSC), 50 field/sec(PAL) CVBS
Sensitivity	13.8 [V/Lux.sec]
Horizontal sync frequency	NTSC -15.734kHz , PAL - 15.625kHz
Vertical sync frequency	NTSC - 60Hz , PAL - 50Hz
Camera consumption	0.45
Video output	1Vp-p , 75ohm composite
Built-in Lens	3.9mm/ F2.8
Storage temperature	-30 to 60 Degree C
Working temperature	-10 to 45 Degree C
Power source	Camera input: DC 3.3~5V
Power current	80 mA(max)-DC12V
Dimension (mm)	Ø 8.8 x 16.2 mm



MO-B5609-3D

**Other information**

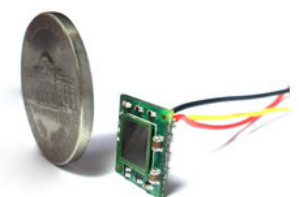
MODEL	Built-in Lens	MICROPHONE
MO-B5609-3D	3.9mm/F2.8	W/O MIC.
MO-B5609-3T	3.1mm/F3.4	
MO-B5609-4T	3.9mm/F3.9	
MO-B5609-2V	2.8mm/F3.9	
MO-B5609-4D	4.8mm/F4.5	
MO-B5609-5F	5.0mm/F3.5	
MO-B5609A-3D	3.9mm/F2.8	W/ MIC.
MO-B5609A-3T	3.1mm/F4.5	
MO-B5609A-4T	3.9mm/F3.9	
MO-B5609A-2V	2.8mm/F3.9	
MO-B5609A-4D	4.8mm/F4.5	
MO-B5609A-5F	5.0mm/F3.5	

**Other information**

**MO-B5610**

- 1/3" CCIQ III
- Ultra slim :2.6mm ONLY

1/3" Color CCIQ III Camera  
Pixel : 728 x 488 (NTSC / PAL )  
480 TV Lines



**Ultra Slim**