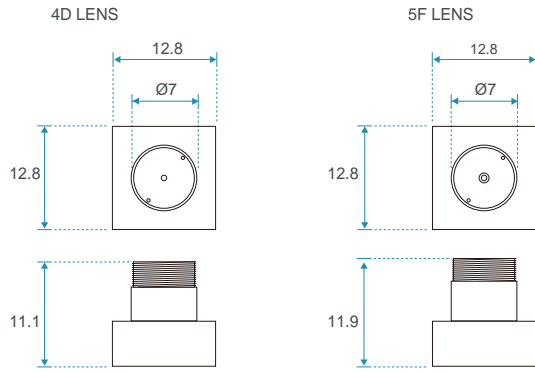


Body Type



Feature

- Excellent Low Light Sensitivity
- Day & Night, AGC, Color Gain
- Digital WDR : Digital Wide Dynamic Range
- NR : Noise Reduction
- WB: White Balance
- Brightness, Contrast, Sharpness
- Parking Line, Mirror
- IP67 Waterproof
- OSD Controller

Specification

unit : mm (±0.5)

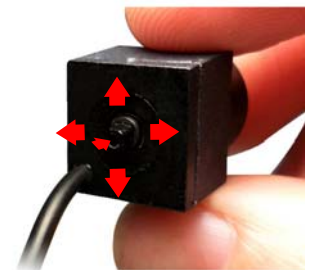
Model	MO-S6600E	
Video system	NTSC / PAL	
Number of effective pixels	756(H) x 504(V) D1 (NTSC & PAL)	
Image sensor	1/3" CCIQ III Color WDR OSD Camera	
Resolution(TV Lines)	520 TV Lines	
S/N Ratio	50 dB	
Max Dynamic Range	120 [dB]	
Sensor scan mode	progressive scan	
Minimum illumination	0.05Lux / F 1.2 20IRE	
Frame Rate	30 fps CVBS (NTSC & PAL)	
Sensitivity	11.9 [V/Lux.sec]	
Horizontal sync frequency	NTSC -15.734kHz , PAL - 15.625kHz	
Vertical sync frequency	NTSC - 60Hz , PAL - 50Hz	
Camera consumption	0.45	
Video output	1Vp-p , 75ohm composite	
Storage temperature	-30 to 60 Degree C	
Working temperature	-10 to 45 Degree C	
Exposure	WDR	Low/ Middle/ High
	LENS	FIX/ IRIS
	AGC	OFF/ X 4/ X 8/ X 16/ X 32/ X 64/ X 96/ X 128
White Balance (WB)	AUTO / OUTDOOR / INDOOR	
Functions	BRIGHTNESS	1 / 2 / 3 / 4 / 5 / 6 / 7 / 8 / 9 / 10
	CONTRAST	1 / 2 / 3 / 4 / 5 / 6 / 7 / 8 / 9 / 10
	SHARPNESS	1 / 2 / 3 / 4 / 5 / 6 / 7 / 8 / 9 / 10
	COLOR GAIN	1 / 2 / 3 / 4 / 5 / 6 / 7 / 8 / 9 / 10
	NR(Noise Reduction)	LEVEL1/ LEVEL 2/ LEVEL3
	MIRROR	NONE / H / V / HV
Power source	Camera input: DC 5~12V	
Power current	80 mA(max)-DC12V	
Dimension (mm)	12.8 x 12.8 mm	



MO-S6600E-4D



MO-S6600E-5F

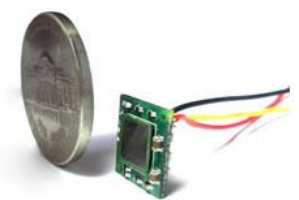


Other information

MO-B5610

- 1/3" CCIQ III
- Ultra slim : 2.6mm ONLY

1/3" Color CCIQ III Camera
Pixel : 728 x 488 (NTSC / PAL)
480 TV Lines



Ultra Slim

Other information

image overlay !
(ordering in advance)



text overlay !
(ordering in advance)

Image overlay graphics & line & text.
(MISUMI create a camera by customer requirements and custom design to meet specific needs.)

Body Type

Advanced Features

- ▶ High color reproduction
- ▶ More excellent color reproduction

WDR Light Environment (Office)



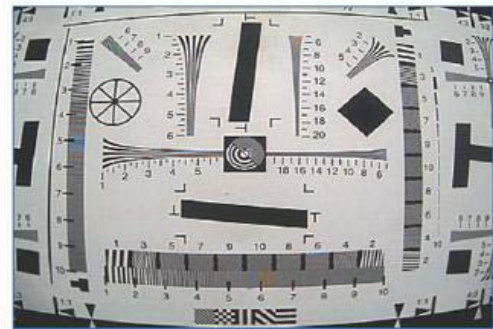
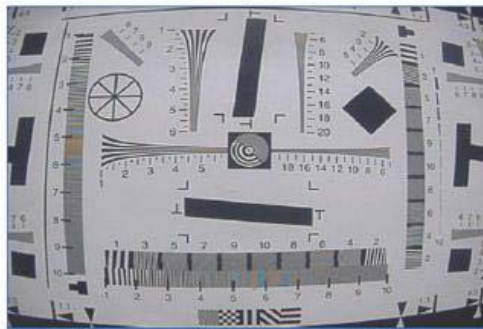
WDR Light Environment (Outdoor)



normal

MO-S6600 SERIES

- ▶ High Resolution
- ▶ Confirmed maximum resolution to achieve 520TVL. !!



normal

MO-S6600 SERIES

- ▶ WDR Light Environment (Day, Tunnel)
- ▶ Gradation compensation to improve image contrast
- ▶ Improvement of loss of dark detail and overexposure area

WDR Light Environment (Tunnel)



normal

MO-S6600 SERIES

- ▶ WDR Light Environment (night, Street)
- ▶ Gradation compensation to improve image contrast
- ▶ Improvement of loss of dark detail and overexposure area

WDR Light Environment (Night, Street)



normal

MO-S6600 SERIES