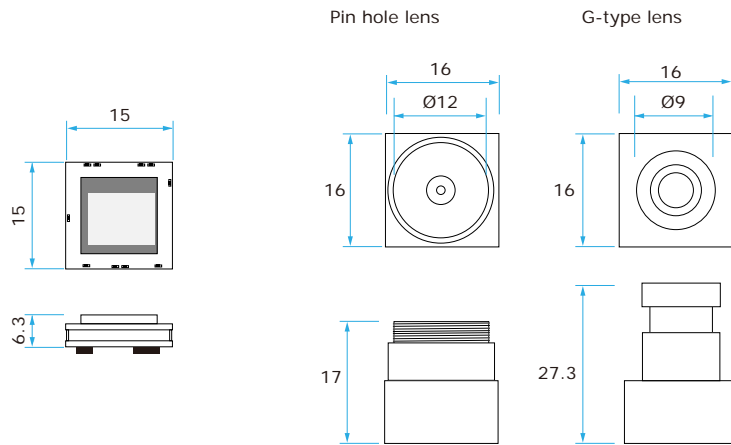


Body Type



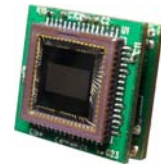
Feature

- Compact size.
- OSD Function
- High Performance.
- Outstanding Quality!
- Competitive Price!

Specification

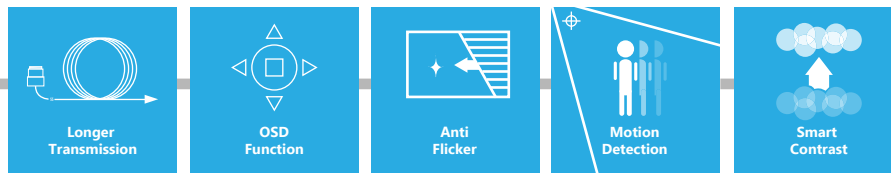
Unit : mm (± 0.5)

Model	MHD-C6215
Pixel size	4.2 um x 4.2 um
Effective Image Area	5.443mm (H) x 3.091mm (V) x 6.25mm(D)
Video system	NTSC / PAL
Number of effective pixels	1296 x 736 (NTSC & PAL)
Image sensor	1/2.9" HD-CVI CMOS Color Camera
Sensor scan mode	progressive scan
Max. Frame Rate	60 fps
Horizontal sync frequency	NTSC -15.734kHz , PAL- 15.625kHz
Vertical sync frequency	NTSC - 60Hz , PAL - 50Hz
Video output	1.0vp-p BNC Connector
Storage temperature	-30 to 60 Degree C
Working temperature	-10 to 45 Degree C
Lens	1Mega, board Lens
Power source	DC 5-12V
Power current	100 mA(max)
OSD function	exposure, white balance, day & night, frame rate, color bar, language, shutter, AGC, BLC
Dimension(mm)	15x15(board)



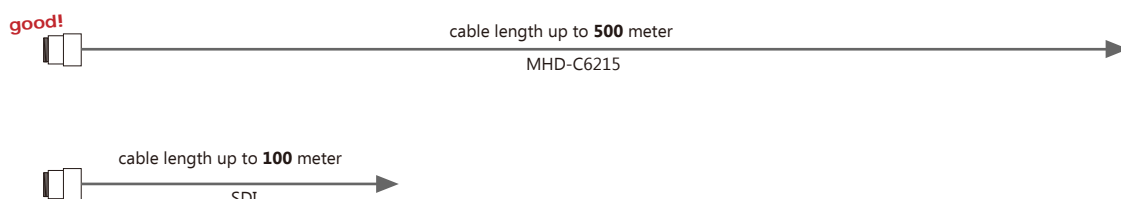
Lens Information

MODEL	LENS
3T	3.1mm / F3.4
4T	3.9mm / F3.9
3C	3.7mm / F2.0
4C	4.3mm / F6.0
3F	3.9mm / F2.8
4F	3.5mm / F3.5
G-type	3.4mm / F2.8



■ **Longer transmission distance**

Long range & non-latency reliable video transmission without additions of relay devices.





■ **OSD function**

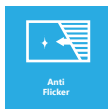
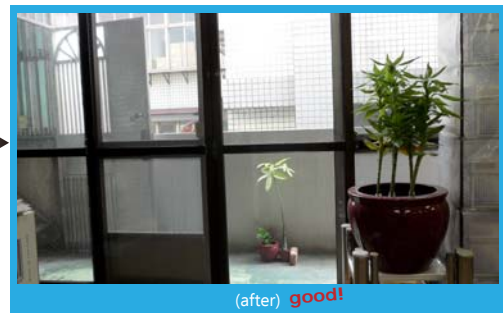
Setting image via OSD function according to environment.



■ **OSD function-motion detection**



■ **OSD function-Smart Contrast**



■ **50Hz, 60Hz flicker automatic cancellation**

