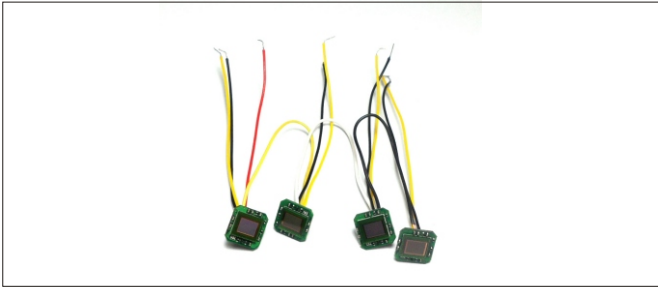


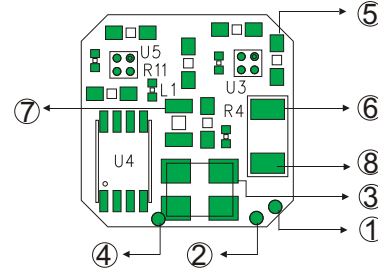
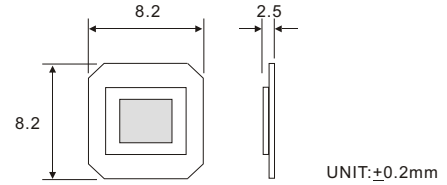
Ultra Mini CCIQ II Camera Manual

➤ Instruction Drawing & Description



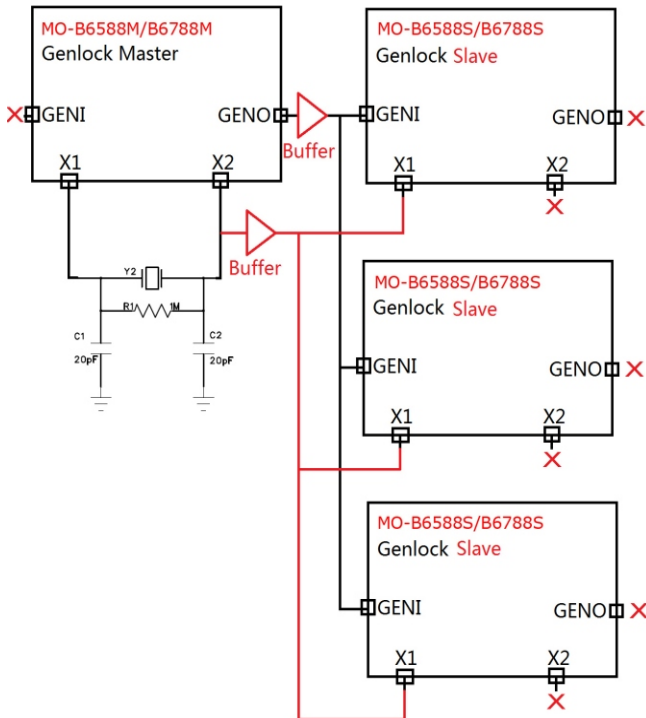
➤ Specification

Effective image area	3.8mm(H) x 2.9mm(V) x 4.86mm(D)
Video System	NTSC/PAL
Number Of Effective Pixels	648 x 488(NTSC/PAL)
Pixel sizes	6 um x 6 um
Scanning System	2:1 INTERLACE
Synchronization	INTERNAL
Resolution (TV Lines)	550 TV Lines
Sensitivity	8.2 [V/Lux.sec]
Dynamic Range	63.3 [dB]
S/N Ratio	More than 47dB
Minimum Illumination	0.02 Lux/ F1.2
Electronic Shutter	60 field/sec (NTSC); 50 field/sec (PAL)
Horizontal Sync Frequency	15.734kHz(NTSC); 15.625kHz(PAL)
Vertical Sync Frequency	60Hz(PAL); 50Hz(PAL)
Gamma Consumption	0.45
Video Output	1Vp-p , 75ohms Composite
Storage Temperature	-30 to 60 Degree C
Working Temperature	-10 to 45 Degree C
Power Supply	DC 3.3 ~4.2V(suggest to DC 3.3V for avoid overheating) DC 5 ~12V(with PCB board: VT-12033)
Power Current	80mA-max(DC 3.3~5V)
Dimensions (WxH)	8.2 x 8.2(mm)



item name	wire color	with genlock in/out (MO-B6788)		
		with genlock out (MO-B6788M)	with genlock in (MO-B6788S)	with genlock in (MO-B6788S)-2
① Gen lock input	green	GEN LOCK out	GEN LOCK in	GEN LOCK in
② Gen lock output	green	② ↔ ①	① ↔ ①	①
③ crystal/X1	blue	crystal/X2	crystal/X1	crystal/X1
④ crystal/X2	blue	④ ↔ ③	③ ↔ ③	③
⑤ GND	gold	⑤ ↔ ⑤	⑤	⑤
⑥ DC3.3~5V power input	red	V ⑥ ↔ ⑥	⑥ ↔ ⑥	⑥
⑦ video output	yellow	V	V	V
⑧ GND	black	V	V	V

With GEN LOCK out/in (MO-B6788)



MO-B6788M+ VT-12033

