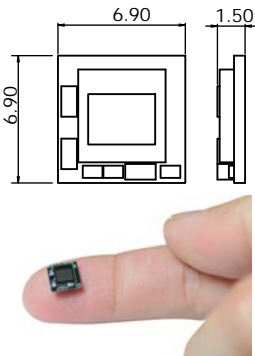
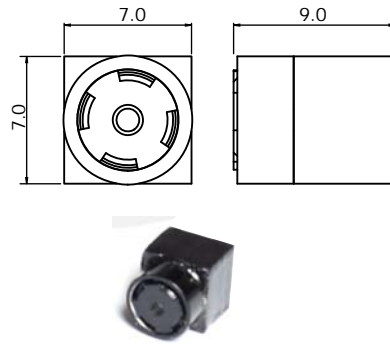


MO-B35577



MO-S35577-3X



Feature

- Compact size.
- Hi Resolution up to 400 TV Lines.
- High Performance.
- Outstanding Quality!
- Competitive Price!

Specification

Model	MO-B35577	MO-S35577
Image sensor	1/4" Color CCIQ Camera Module	1/4" Color CCIQ Camera
Dimension (mm)	6.9x6.9 mm	7x7 mm
Power source	Camera input: DC 3.3~5V	Camera input: DC 5~12V
Power current	80mA	
Video system	NTSC-EIA / PAL-CCIR	
Number of effective pixels	648 x 488 (NTSC-EIA / PAL-CCIR)	
Effective Image Area	3.6288 mm x 2.7328 mm (Diagonal :4.54mm)	
Pixel Size	5.6 um x 5.6 um	
Resolution(TV Lines)	400 TV lines	
S/N Ratio	46 dB	
Dynamic range	62 [dB]	
Frame rate	60 fields/sec (NTSC-EIA); 50 fields/sec (PAL-CCIR)	
Sensitivity	12.5 [V/Lux.sec]	
Horizontal sync frequency	NTSC-EIA -15.734kHz , PAL-CCIR - 15.625kHz	
Vertical sync frequency	NTSC-EIA - 60Hz , PAL-CCIR - 50Hz	
Camera consumption	0.45	
Video output	1Vp-p , 75ohm composite	
Storage temperature	-30 to 60 Degree C	
Working temperature	-10 to 45 Degree C	

Lens information

Image	Lens code	Lens	thread	View angle
	2ES	2.3mm/F2.6	M5.5xP0.35	H= 140°; V= 74°; D= 144°
	2B	2.69mm/F2.0	M5.5xP0.35	H= 84.2°; V= 59.6°; D= 122°
	3E	3.0mm/F2.4	M6xP0.35	H= 62° 20'; V= 48° 59'; D= 74° 14'
	3S	3.4mm/F3.4	M5.5xP0.35	H= 61.6°; V= 46.4°; D= 77.3°
	3X	3.4mm/F2.8	M6xP0.35	H= 56° 10'; V= 43° 47'; D= 67° 27'
	5F	5.0mm/F3.5	M5.5xP0.35	H= 39° 34'; V= 30° 19'; D= 48° 27'

MO-S35577A

- A** : with microphone (standard)
- AG**: with microphone (Frequency:20-20000Hz)
- AD**: with microphone (Frequency:100-10000Hz)



▲ MO-S35577-2B
MO-S35577-2ES



▲ MO-S35577-3X



▲ MO-S35577-3S