

<p>Model: xYD-BL31105 No lens</p>	<p>Model: xYD-BL31105-77 77° lens</p>	<p>Model: xYD-BL31105-88 88° lens</p>	<p>Model: xYD-BL31105-93 93° lens</p>	<p>Model: xYD-BL31105-158 158° lens</p>
<p>Model: xYD-BL31105S Single Board, No lens</p>	<p>Model: xYD-BL31105S-77 Single Board, 77° lens</p>	<p>Model: xYD-BL31105S-88 Single Board, 88° lens</p>	<p>Model: xYD-BL31105S-93 Single Board, 93° lens</p>	<p>Model: xYD-BL31105S-158 Single Board, 158° lens</p>
<p>Model: xYD-B31105U Single Board, No lens</p>	<p>Model: xYD-B31105U-77 Single Board, 77° lens</p>	<p>Model: xYD-B31105U-88 Single Board, 88° lens</p>	<p>Model: xYD-B31105U-93 Single Board, 93° lens</p>	<p>Model: xYD-B31105U-158 Single Board, 158° lens</p>
<p>Model: xYD-B31105 No lens</p>	<p>Model: xYD-B31105-77 77° lens</p>	<p>Model: xYD-B31105-88 88° lens</p>	<p>Model: xYD-B31105-93 93° lens</p>	<p>Model: xYD-B31105-158 158° lens</p>
<p>Model: xYD-B31106R No lens</p>	<p>Model: xYD-B31106R-77 77° lens</p>	<p>Model: xYD-B31106RL-88 88° lens</p>	<p>Model: xYD-B31106RL-93 93° lens</p>	<p>Model: xYD-B31106RL-158 158° lens</p>
<p>Model: xYD-B31108RL No lens</p>	<p>Model: xYD-B31108RL-77 77° lens</p>	<p>Model: xYD-B31108RL-88 88° lens</p>	<p>Model: xYD-B31108RL-93 93° lens</p>	<p>Model: xYD-B31108RL-158 158° lens</p>

* light guide-specify when ordering

* light guide-specify when ordering

* light guide-specify when ordering

* light guide-specify when ordering

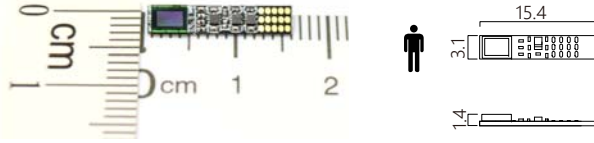
* light guide-specify when ordering

Ultra Slim Camera Module Series

UNIT:±0.2mm

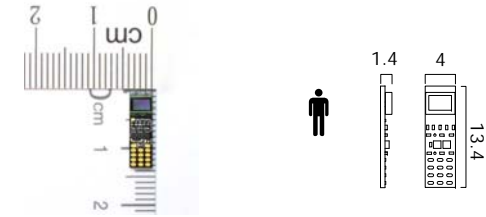
Model: xYD-BL31103
Single Board, No lens

Best selection !
For side view endoscope

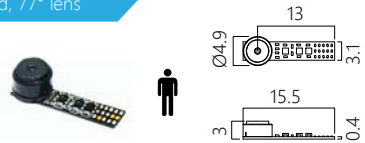


Model: xYD-B31104U
Single Board, No lens

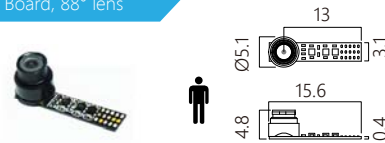
Best selection !
For up view endoscope



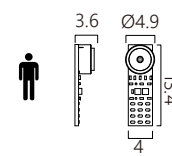
Model: xYD-BL31103-77
Single Board, 77° lens



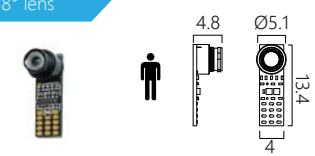
Model: xYD-BL31103-88
Single Board, 88° lens



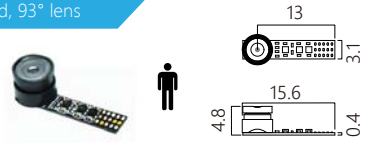
Model: xYD-B31104U-77
Single Board, 77° lens



Model: xYD-B31104U-88
Single Board, 88° lens



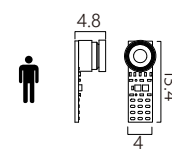
Model: xYD-BL31103-93
Single Board, 93° lens



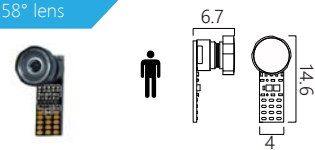
Model: xYD-BL31103-158
Single Board, 158° lens



Model: xYD-B31104U-93
Single Board, 93° lens

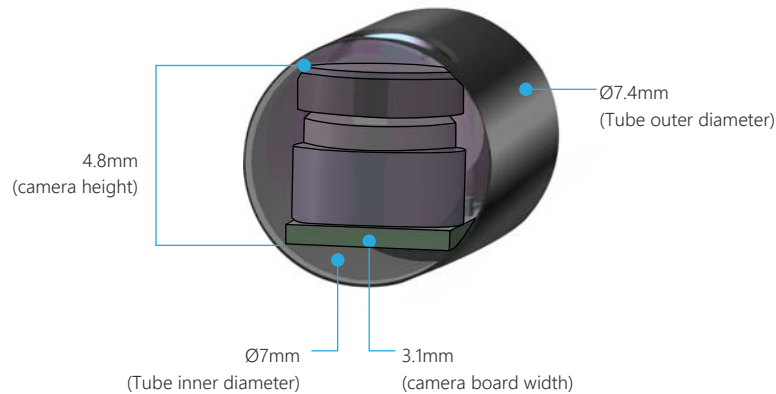


Model: xYD-B31104U-158
Single Board, 158° lens

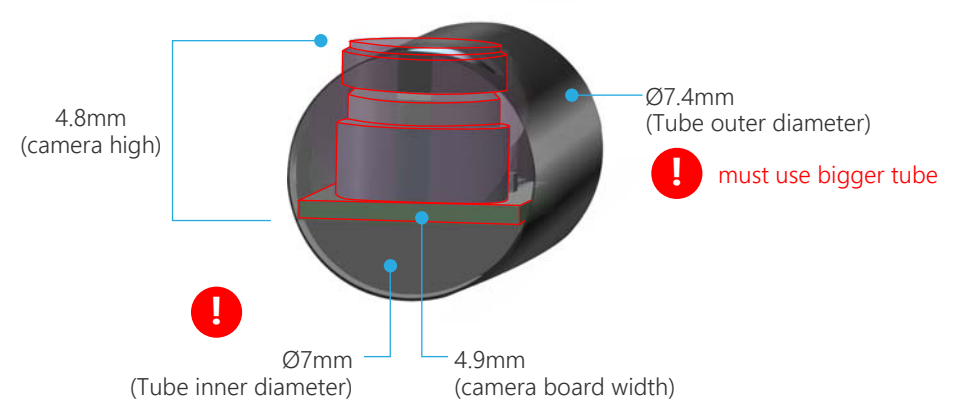


Ultra slim! MISUMI Side View Camera (use Ø7.4mm tube)

Ultra slim design to fit smaller diameter tube, for easier narrow pipe inspection !



! Other Side View Camera (use Ø7.4mm tube)

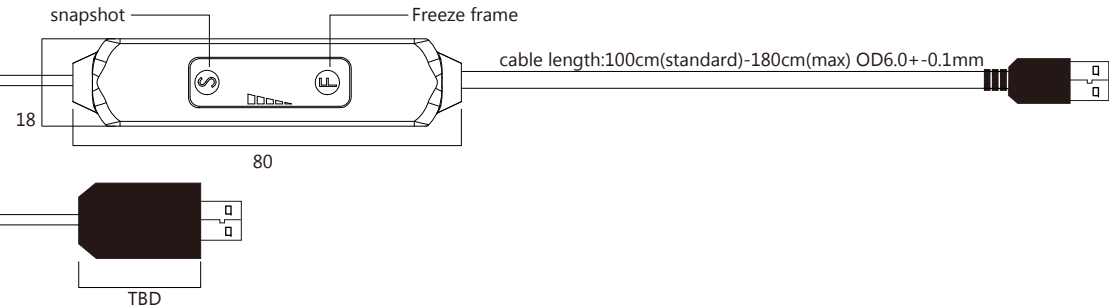


SYD- xxxx series

cable length:100cm(standard)-450cm(max) OD1.9+ -0.1mm

TYD- xxxx series

cable length:100cm(standard)-450cm(max) OD1.9+ -0.1mm



Specification

Model	SYD-BL31103	SYD-B31104U	SYD-BL31105	SYD-BL31105S	SYD-B31105U	SYD-B31105	SYD-B31108RL	TYD-BL31103	TYD-BL31104U	TYD-BL31105	TYD-BL31105S	TYD-B31105U	TYD-B31105	TYD-B31108RL
Camera type	left-side view (Single board)	up view (Single board)	left-side view	left-side view (Single board)	up view	front view	front view	left-side view (Single board)	up view (Single board)	left-side view	left-side view (Single board)	up view	front view	front view
Dimension(mm)	3.1 x 15.4	4 x 13.4	4.9x8.4	4.9x13.5	4.9x13.5	Ø4.9	Ø7.6	3.1 x 15.4	4 x 13.4	4.9x8.4	4.9x13.5	4.9x13.5	Ø4.9	Ø7.6
Snapshot & Freeze Function	support							N/A						
LED dimmer	support (specify when ordering)							N/A						
Camera parameter setting on smartphone	support							support						
Max. frame rate (optional)	Standard	1920 x 1080; 1280 x 720; 640 x 480 60 fps MJPG/YUV												
	Fixed	1920x1080 @60 fps MJPEG/YUV ; 1280x720 @90 fps MJPEG/YUV ; 640x480 @120 fps MJPEG/YUV ; 320 x 240 @ 240 fps MJPEG/YUV												
Pixel size	1.4 µm x 1.4 µm													
Image sensor	1/6" Digital CMOS Camera Module													
Image area	2.7288x1.5498mm													
Scan mode	progressive													
Sensitivity	553 mV/(Lux-sec)													
Dynamic range	73.3 dB @ 15.5x gain													
UVC format	MJPEG													
Storage temperature	-30 to 60 Degree C													
Working temperature	-10 to 45 Degree C													
Interface	USB3.0													
Lens (specify which lens)	1.83mm/2.0 /F5.0 /8.0 (H= 69°; V= 43°; D= 77°) 1.55mm/F5.7(H=78.3°; V=48.4°; D=88°) 1.50mm/F5.7(H=81°; V=50°; D=93°) 1.523mm/F4.8/6.0/8.0(158° lens)(H=132°; V=65° ; D=158°)													
LED	white LED x 6 (specify when ordering)													
Power source	DC 5V (USB)													
Power current	NO LED / 160mA with LED 6pcs / 190mA *31108RL / 190mA													
Operating system	windows 10, Linux													

Camera parameter adjustable

Camera parameter can be adjusted on the smartphone via the Misumi app.



Model: TYD-B31105-77

Snapshot & Freeze frame & Dimmer(camera must have LED)



Model: SYD-B31105-158



Model: SYD-B31105-77

- Brightness
- Gain
- Contrast
- Gamma
- White Balance
- Exposure time ABS
- Sharpness
- Backlight Compensation
- HUE
- Saturation
- Mirror
- Flip
- Frame rate 30fps
- Resolution 1920x1080



SYD-V31105L-77

- ①
- ②
- ③
- ④
- ⑤

① CONNECTOR		② TYPE		③ CAMERA TYPE		④ LED		⑤ LENS	
SYD	USB 3.0 A type	B	Board type	31105	color	L	white LED x 6	77	1.83mm/F2.0(77°)
SYT	USB Type C	VB	Board type+dimmer	311M5	B/W	L8	IR 850nm LED x 6	77	1.83mm/F5.0/8.0 (77°) camera with LED
TYD	USB 3.0 A type	BL	Board type (side View)	31105S	color(side view single board)	L9	IR 940nm LED x 6	88	1.55mm/F5.7(88°)
TYT	USB Type C	VBL	Board type (side View)+ dimmer	31105U	color(up view single board)			93	1.5mm/F5.7(93°)
		T	Tube type	31104U	color(up view single board)			158	1.523mm/F4.8/6.0/8.0(158° lens)
		V	Tube type+dimmer	31103	color(side view single board)				
				31108RL	color(camera board built-in LED)				
SYD ; SYT series with snapshot, dimmer & freeze function		TYD ; TYT series without dimmer function				with IR LED suggest to choose B/W type		77Y : with Day&Night filter 93° Lens diameter is 4.95mm 158° Lens diameter is 6.25mm	